

# ■ DRAINING WATER OUTLET



## ■ INDEX

1. Code Registry
2. Technical Features
3. Use
4. Installation
5. Drawing
6. Technical Specification



# ■ DRAINING WATER OUTLET



## ■ 1. CODE REGISTRY

<b>PRODUCT CODE:</b>	BOC01-1109 BOC01-1109S BOC01-1110 BOC01-1110S BOC01-1111 BOC01-1111S BOC01-1112
<b>GROUP:</b>	Unions
<b>TYPE:</b>	Draining water outlet
<b>NAME:</b>	Draining water outlet

## ■ 2. TECHNICAL FEATURES

<b>AVAILABLE DIMENSIONS:</b>	ø 60 mm ø 75 mm ø 80 mm ø 90 mm ø 100 mm ø 110 mm ø 120 mm	BOC01-1109 BOC01-1109S BOC01-1110 BOC01-1110S BOC01-1111 BOC01-1111S BOC01-1112
<b>PACKAGING:</b>	25 pc.                      a box 25 pc. 25 pc. 25 pc. 20 pc. 20 pc. 20 pc.  300 pc.                    a pallet 300 pc. 350 pc. 350 pc. 280 pc. 280 pc. 280 pc.	
<b>MATERIAL:</b>	Made of TPE (thermoplastic elastomer).	
<b>COLOUR:</b>	Black	
<b>WEIGHT:</b>	250 gr./pc. 300 gr./pc. 237 gr./pc. 300 gr./pc. 254 gr./pc. 400 gr./pc. 272 gr./pc.	BOC01-1109 BOC01-1109S BOC01-1110 BOC01-1110S BOC01-1111 BOC01-1111S BOC01-1112

# ■ DRAINING WATER OUTLET

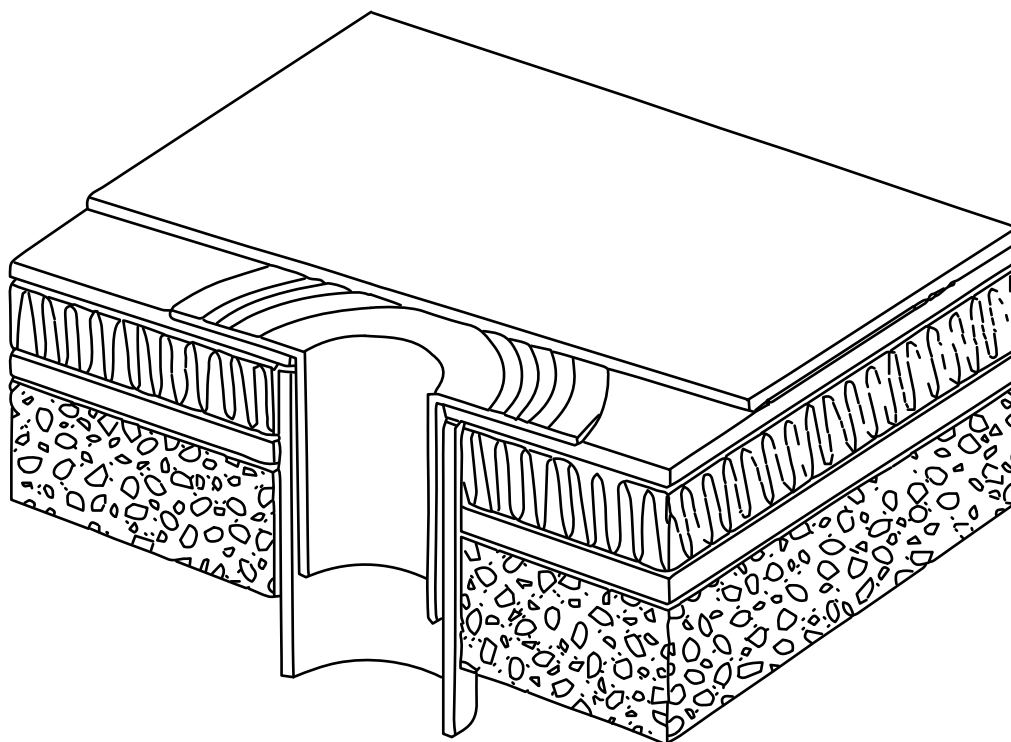


## ■ 3. USE

Used for vertical evacuation of rainwater in flat roof.

## ■ 4. INSTALLATION

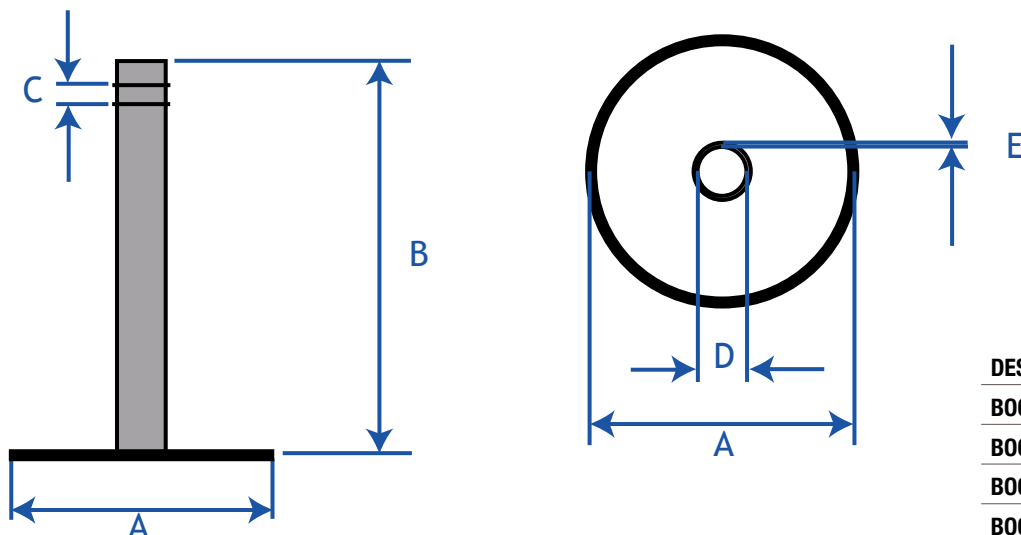
On flat roofs or terraces



# ■ DRAINING WATER OUTLET



## ■ 5. DRAWING



DESCRIPTION	A	B	C	D*	E
<b>BOC01-1109</b>	320	240	32	60	1,5
<b>BOC01-1109S</b>	320	240	32	75	1,5
<b>BOC01-1110</b>	320	240	32	80	1,5
<b>BOC01-1110S</b>	320	240	32	90	1,5
<b>BOC01-1111</b>	320	240	32	100	1,5
<b>BOC01-1111S</b>	320	240	32	110	1,5
<b>BOC01-1112</b>	320	240	32	120	1,5

\* for pipes

## ■ 6. TECHNICAL SPECIFICATION

Specification	Description	Unity	Price
<b>Dak.O.BOC01.11xx</b>	Supply and installation of Monolithic filler consists of a flange, a tube of length 240 mm and different diameters (see table). Made of TPE (thermoplastic elastomer). Used for vertical evacuation of rainwater in flat roof.		
<b>Dak.O.BOC01.1109</b>	Dimension $\varnothing$ 60 x 320 mm.....	pc.	-
<b>Dak.O.BOC01.1109S</b>	Dimension $\varnothing$ 70 x 320 mm.....	pc.	-
<b>Dak.O.BOC01.1110</b>	Dimension $\varnothing$ 80 x 320 mm.....	pc.	-
<b>Dak.O.BOC01.1110S</b>	Dimension $\varnothing$ 90 x 320 mm.....	pc.	-
<b>Dak.O.BOC01.1111</b>	Dimension $\varnothing$ 100 x 320 mm.....	pc.	-
<b>Dak.O.BOC01.1111S</b>	Dimension $\varnothing$ 110 x 320 mm.....	pc.	-
<b>Dak.O.BOC01.1112</b>	Dimension $\varnothing$ 120 x 320 mm.....	pc.	-