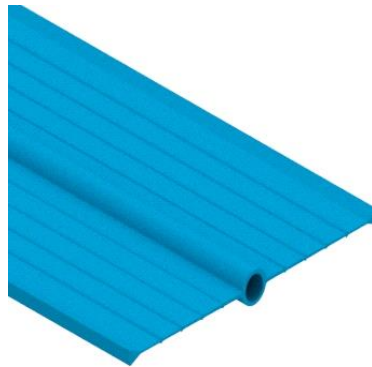


for expansion joint



Function	They give a watertight seal even where pressures occur. They are used to contain water, such as for swimming pools, channel, aqueducts, tanks and dams and to protect all types of foundations, tunnels and silos against the infiltration of water.
Compatibility	Compatible with PVC felts
Range	L 150 - L 200 - L 220 - L 240 - L 250 - L 300 - L 320 - L 360 - L 400 - L 440
Performance	Resistant to deterioration by the sun, ozone and other agents or chemicals normally found in the atmosphere or water stratum. They have excellent flexibility even at low temperatures. The mechanical properties are maintained in the long term. This type of PVC allows the use on concrete constructions ensuring excellent resistance not only to aging and chemical attack in alkaline environments but also to brackish water or acid solutions.

Operating temperature -30°C; +70°C

Included accessories:	-	Recycled product	No
Optional accessories:	Clips	Recyclable product	Yes
	-	Material	PVC
	-		
	-		

Additional information

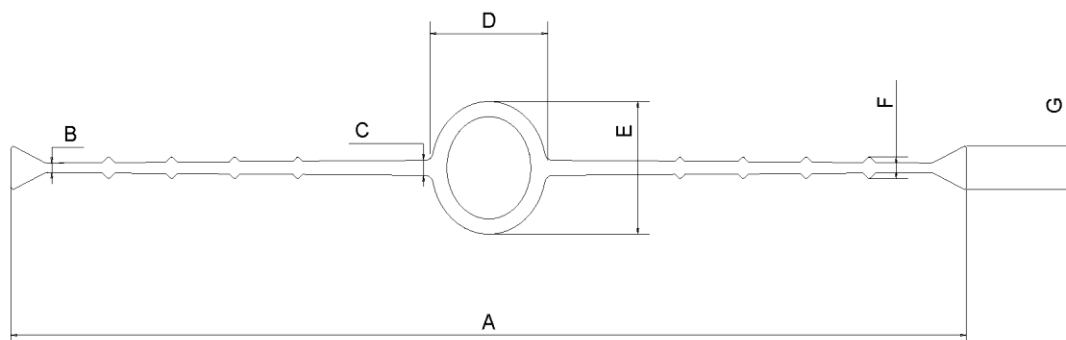
Available on request resistant at mineral oil.

For a better understanding of the interaction between the Waterstop and the accessories, please refer to the respective technical data sheets.

If not otherwise indicated, all measurements are expressed in millimetres.

All dimensions indicated are average values typical of the product and they are not specific of a single batch. All information contained in this document is purely indicative and it is based on the knowledge of Impertek at the date of publication. It is responsibility of the buyer to judge if the product is suitable for the expected purpose.

for expansion joint



Line Item	Description	A	B	C	D	E	F	G	H	I
1 511-010-100-150	Waterstop PVC internal bulb RGF 150 - 5012	150	2,0	2,9	20,8	25	4,6	11,3		
2 511-010-100-200	Waterstop PVC internal bulb RGF 200 - 5012	200	2,0	2,9	20,8	25	4,6	11,3		
3 511-010-100-220	Waterstop PVC internal bulb RGF 220 - 5012	220	2,0	2,9	20,8	25	4,6	11,3		
4 511-010-100-240	Waterstop PVC internal bulb RGF 240 - 5012	240	2,5	4,0	30,7	35	5,6	11,3		
5 511-010-100-250	Waterstop PVC internal bulb RGF 250 - 5012	250	2,5	4,0	30,7	35	5,6	11,3		
6 511-010-100-300	Waterstop PVC internal bulb RGF 300 - 5012	300	2,5	4,5	30,6	35	5,6	11,3		
7 511-010-100-320	Waterstop PVC internal bulb RGF 320 - 5012	320	3,0	5,0	30,7	40	6,1	11,4		
8 511-010-100-360	Waterstop PVC internal bulb RGF 360 - 5012	360	3,0	5,0	30,8	40	6,1	11,4		
9 511-010-100-400	Waterstop PVC internal bulb RGF 400 - 5012	400	3,0	4,9	35,7	45	6,8	11,4		
10 511-010-100-440	Waterstop PVC internal bulb RGF 440 - 5012	440	3,0	5,4	35,7	45	6,8	11,4		

If not otherwise indicated, all measurements are expressed in millimetres.

All dimensions indicated are average values typical of the product and they are not specific of a single batch. All information contained in this document is purely indicative and it is based on the knowledge of Impertek at the date of publication. It is responsibility of the buyer to judge if the product is suitable for the expected purpose.